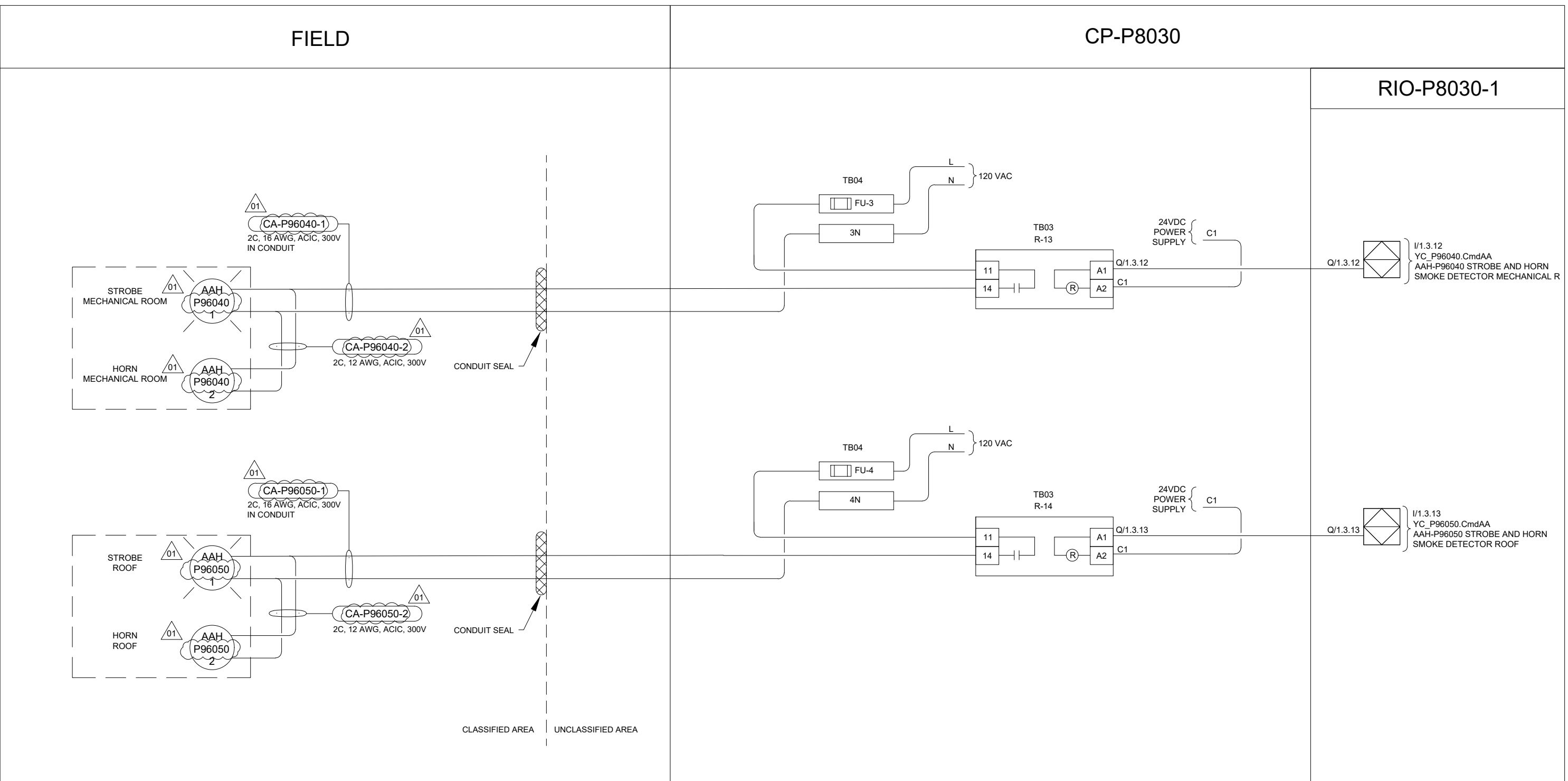



LAST SAVE: 2023/10/27 - 3:41pm  
 PATH: C:\Users\lualesd\ACCDocs\AECOM\City of Winnipeg - NEWPCC Upgrades 2021\900 Design Collaboration\60661262 Primary Clarifier Upgrade\A - Automation\ILDV1-0101-AILD-P910-001.dwg  
 B SIZE - 279mm x 432mm





**ENGINEERS  
GEOSCIENTISTS  
MANITOBA**  
 Certificate of Authorization  
 AECOM Canada Ltd.  
 No. 4671 Date: 2023-08-17

NO.	REVISIONS	DATE	DESIGN	CHECK
01	ISSUED FOR ADDENDUM 3	2023-10-27	DR	SB
00	ISSUED FOR TENDER	2023-08-17	DR	SB

**AECOM**

DESIGNED BY: DR	CHECKED BY: SB
DRAWN BY: DR	APPROVED BY: NW
SCALE: NTS	DATE: 2020 / 12 / 09
ISSUED FOR CONSTRUCTION DATE:	
BY:	
CONSULTANT NO.: P3-I697	

ENGINEER'S SEAL


**THE CITY OF WINNIPEG**  
 WATER AND WASTE DEPARTMENT

NORTH END SEWAGE TREATMENT PLANT  
 PRIMARY CLARIFICATION PROJECT  
 AUTOMATION  
 SCUM DEWATERING BUILDING - LOOP DIAGRAM  
 STROBE AND HORN AAH-P96040, AAH-P96050

CITY DRAWING NUMBER	SHEET	REV.	SIZE
1-0101-AILD-P910	001	01	B